

MS-CONNECT 210

Connectivity Solution with Ethernet



The MS-Connect 210 simplifies connectivity of Microscan readers in industrial applications. This factory floor ready wiring box features a vivid display, convenient access holes for easy wire routing, and multiple connectivity options including Ethernet protocols.

The MS-Connect 210 is the ideal Microscan reader accessory for any users seeking an easy connectivity option.

Ethernet Connectivity

Connect to a host using serial or Ethernet connection. Ethernet TCP/IP and EtherNet/IP protocols are available out of the box.

Practical Design

Four access holes located on the box allow users quick, easy, and clean wiring of inputs and outputs. Mounting is simplified with four accessible through-holes for mounting screws. An optional plate is available for easy DIN rail mounting.

Informative Display

Providing two lines of decoded information, the optional display is ultra-bright and easy to read.

Clear Wiring Path

Wiring to the appropriate terminal block is easily accomplished, due to the access holes and a clear area located between the terminal rows.

I/O Indicators

The front panel on the MS-Connect 210 provides visual confirmation of performance. Multiple colors are used for easy recognition.

Relay Modules

The MS-Connect 210 includes slots for optional relay modules to allow for greater use of external devices including light stacks.

Additional Power & Backup

The MS-Connect 210 includes the option to power three additional readers. It also includes internal connections for a MS-Q reader that can be used as a backup.

MS-Connect 210: Easy Integration

- For fast installation and easy maintenance of any Microscan scanner or imager
- IP65 rated industrial design
- Allows for wiring of backup MS-Q reader
- Better organization of cables and wiring on factory floor
- Protocol conversion allows connection via Ethernet

Simple Connectivity Solution for:



Microscan laser barcode scanners



Microscan 2D imagers

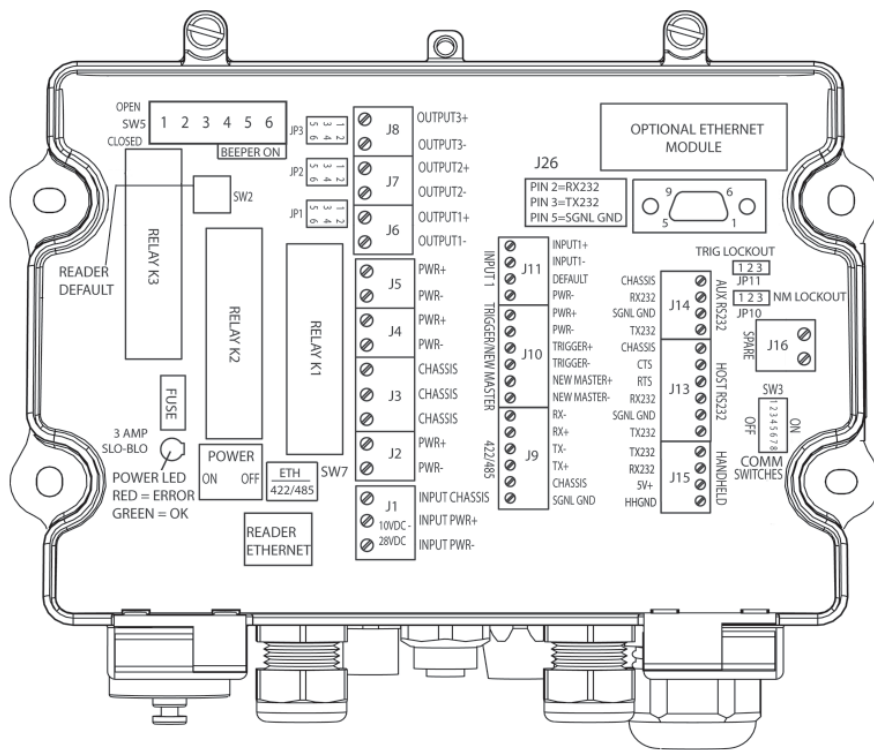
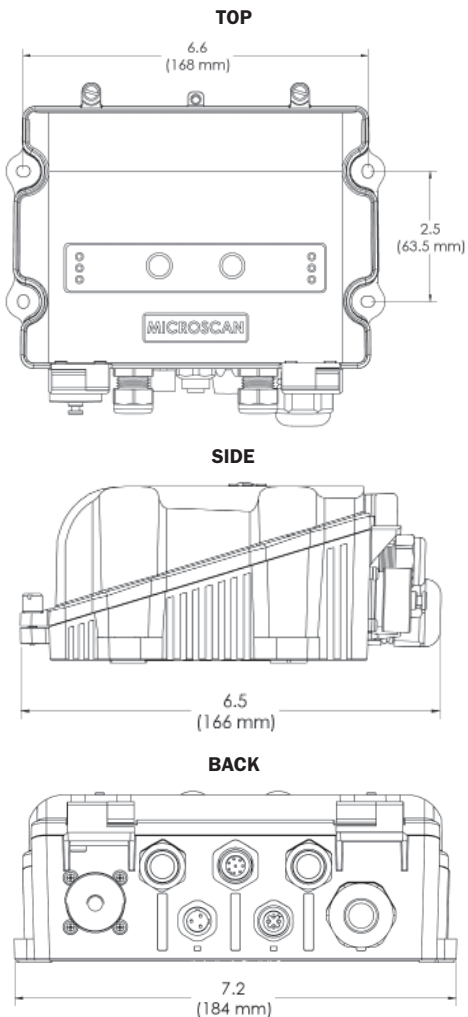


Backup MS-Q handheld reader

For more information on this product, visit www.microscan.com.

MS-CONNECT 210 SPECIFICATIONS AND OPTIONS

MS-CONNECT 210 INTERNAL VIEW



MECHANICAL

Length: 7.3" (184 mm) **Width:** 6.3" (160 mm)
Height: 2.8" (71 mm) **Weight:** 1.6 lb. (726 g)

ENVIRONMENTAL

Enclosure: IP65
Humidity: up to 90% (non-condensing)
Operating Temperature: 0° to 50° C (32° to 122°F)
Storage Temperature: -30° to 70° C (-22° to 158°F)

ELECTRICAL

Power: 10-28 V
MS-Q: 5 VDC

PLUGGABLE RELAY MODULE

K1	Pluggable Relay Module
K2	Pluggable Relay Module
K3	Pluggable Relay Module

INPUTS/OUTPUTS

J1	Input Power 10-28 VDC
J2	Output Power 10-28 VDC
J3	Chassis
J4	Output Power 10-28 VDC
J5	Output Power 10-28 VDC
J6	Output 1
J7	Output 2
J8	Output 3
J9	RS 422/485
J10	Trigger/New Master
J11	Input 1
J13	Host RS-232
J14	Aux RS 232
J15	MS-Q 5 VDC
J16	Spare

CE MARK

General Immunity for Heavy Industry:
EN 55024: 1998 ITE Immunity Standard
EN 61000-6-2:2001

EMISSIONS

EN 55022:1998 Class A

INDICATORS

Digital Display: 2X20 Alphanumeric characters
Beeper: Configurable LEDs: I/O status, Serial

TERMINAL BLOCKS MAX RATING

J1-J8 Wire Range: 26 to 14 AWG.
Wire Strip Length: 11 mm
J9-J15 Wire Range: 22 to 18 AWG.
Wire Strip Length: 5 mm
J2-J5 Max Voltage: 28 VDC. **Max Current:** 4 Amps
J6-J8 Max Voltage: 240 VAC. **Max Current:** 3 Amps

COMMUNICATION PROTOCOLS

Standard Interface: RS-232, RS-422

ACCESS CGB

Small: Access diameter range 0.18" to 0.39"
(4.5 to 10 mm)
Large: Access diameter range 0.2" to 0.5"
(5 to 12.7 mm)

JUMPERS

JP1	Relay Output 1 Options
JP2	Relay Output 2 Options
JP3	Relay Output 3 Options
JP 11	Trigger Button Lockout
JP 10	New Master Button Lockout

SWITCHES

SW1	On/Off
SW2	Reader Default
SW3	Display Comm Switches
SW5	Reader Output Indicators
SW7	Reader Ethernet Option

CONNECTORS

Reader: M23 19-pin circular socket connector
Trigger: 4-pin MicroChange socket
Power: 3-pin MicroChange plug

OTHER ACCESSORIES

Type: DIN rail kit, Relay modules
Industrial Ethernet Connector: 8-pin M12 MicroChange socket

SAFETY CERTIFICATIONS DESIGNED FOR

FCC, UL/cUL, CE, BSMI

ROHS/WEEE COMPLIANT

ISO CERTIFICATION

Certified ISO 9001:2008 Quality Management System

©2012 Microscan Systems, Inc. SP022F 07/12

Warranty—One year limited warranty on parts and labor. Free extended 3 year warranty upon online product registration.

MICROSCAN®

Microscan Systems Inc.

Tel 425 226 5700 / 800 251 7711
Fax 425 226 8250

Microscan Europe

Tel 31 172 423360 / Fax 31 172 423366

Microscan Asia Pacific

Tel 65 6846 1214 / Fax 65 6846 4641

www.microscan.com

Product Information: info@microscan.com
Auto ID Support: helpdesk@microscan.com
Vision Support: visionsupport@microscan.com
NERLITE Support: nerlitesupport@microscan.com